



### ATQ150 SERIES 9-75VDC INPUT / 150W OUTPUT (8:1 ISOLATED DC-DC CONVERTER)

### ATQ150-WH36SXX

[www.ataq.com.tr](http://www.ataq.com.tr)

"Achieve Total Assurance and Quality in Power"



### FEATURES TABLE

Feature	Specification	Details
<b>Ultra-Wide Input Voltage:</b> <b>Input Surge Voltage:</b> <b>Efficiency:</b> <b>Switching Frequency:</b> <b>Output Regulation:</b> <b>Remote On/Off:</b> <b>Protection:</b> <b>Isolation Voltage:</b> <b>Operating Case Temp.:</b> <b>Safety Approval:</b> <b>EMI:</b>	9 – 75 VDC 100VDC@100ms max. Up to 90% Fixed, 200kHz Regulated Outputs Yes Fully (OTP/OCV/OVP/UVLO) 1500VDC I/O Isolation -40°C to +100°C UL60950-1 (2nd Edition) Meets EN55032 (Class A) (with external filter)	<input type="checkbox"/> Over-Temperature, Over-Current, Short-Circuit, Over-Voltage, Under-Voltage Lockout protection. <input type="checkbox"/> Turned-off by the ON/OFF input. <input type="checkbox"/> Output voltage trim range of ±10%. <input type="checkbox"/> Remote sense for the output voltage. <input type="checkbox"/> Complies with safety standards for reliable operation. <input type="checkbox"/> <u>Half Brick Size :</u> 2.40" L x 2.28" W x 0.50" H (61.0mm L x 57.9mm W x 12.7mm H)

MODEL NUMBER	INPUT VOLTAGE	OUTPUT VOLTAGE	OUTPUT CURRENT		INPUT CURRENT		% EFF.	CAPACITOR LOAD MAX.
			MIN.	MAX.	NO LOAD	FULL LOAD		
ATQ150-WH36S12	9-75 VDC	12 VDC	0 mA	12.50 A	60 mA	4.66 A	89.5 <sup>(1)</sup>	5000µF <sup>(2)</sup>
ATQ150-WH36S15	9-75 VDC	15 VDC	0 mA	10.00 A	60 mA	4.63 A	90 <sup>(1)</sup>	5000µF <sup>(2)</sup>
ATQ150-WH36S24	9-75 VDC	24 VDC	0 mA	6.25 A	60 mA	4.66 A	89.1 <sup>(1)</sup>	2000µF <sup>(2)</sup>
ATQ150-WH36S28	9-75 VDC	28 VDC	0 mA	5.35 A	60 mA	4.63 A	89.5 <sup>(1)</sup>	1500µF <sup>(2)</sup>
ATQ150-WH36S48	9-75 VDC	48 VDC	0 mA	3.13 A	60 mA	4.63 A	90 <sup>(1)</sup>	1000µF <sup>(2)</sup>
ATQ150-WH36S51	9-75 VDC	51 VDC	0 mA	2.94 A	60 mA	4.63 A	90 <sup>(1)</sup>	1000µF <sup>(2)</sup>

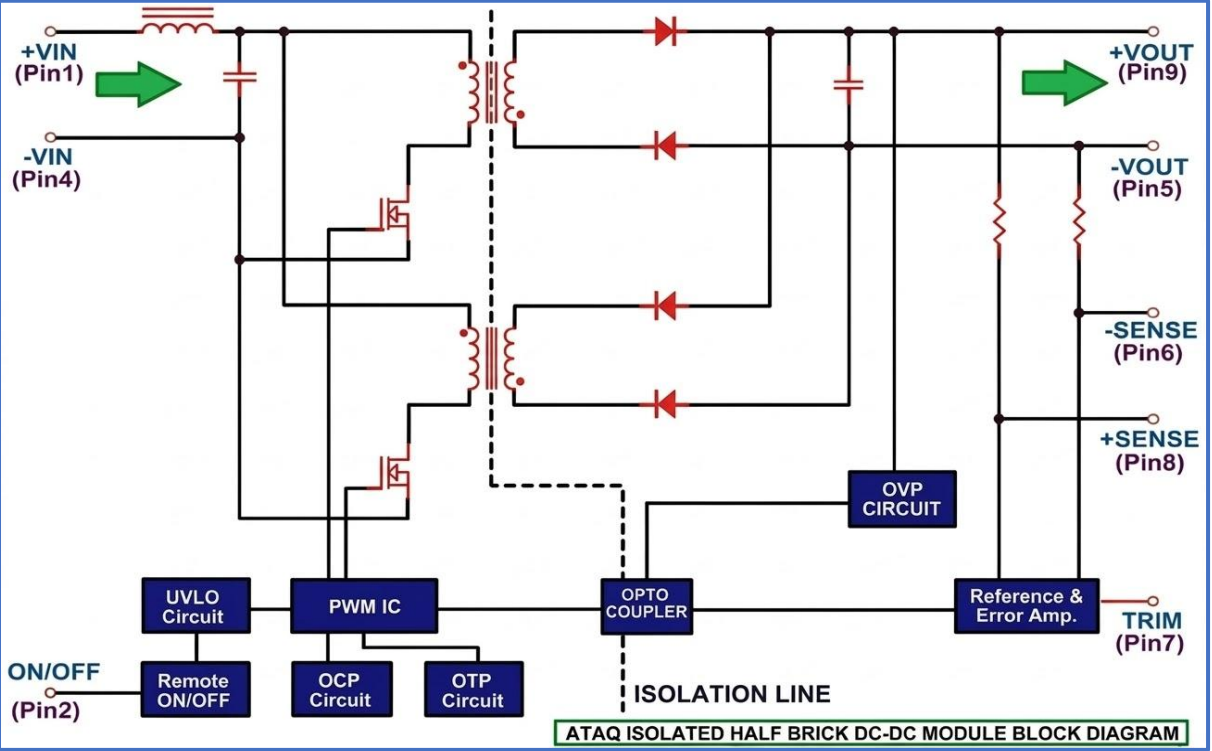
(1) The output terminal of 24Vout/ 28Vout models required a minimum capacitor 100uF to maintain specified regulation  
 (2) The input external capacitor recommends to parallel with 330uF ESR<0.5Ω to reduce the input ripple voltage

The ATQ150 Series provides a high-performance solution for demanding power conversion applications. With its 150W output power, 9 - 75VDC input voltage and 8:1 input voltage range, this isolated DC-DC converter ensures reliable operation and high efficiency. It is engineered for robustness supports a wide operating temperature range and complies with industrial standards.

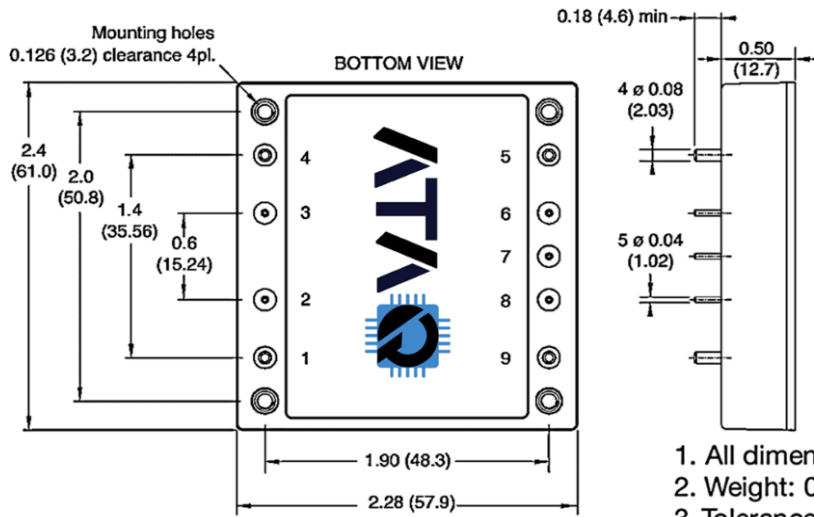
- I. Compliant with MIL-STD-1275<sup>(\*)</sup> with external components
- II. Compliant with MIL-STD-704<sup>(\*)</sup> with external components

**NOTE:** (\*) Suitable for COTS use. If the product is intended to be used with a military system, it must be tested in the internal structure of a system subject to military tests. ATAQ does not guarantee the use of this product in military and medical products.

**ELECTRICAL BLOCK DIAGRAM:**



**MECHANICAL SPECIFICATION:**



Pin Connections	
Pin	Single
1	+Vin
2	Remote On/Off
3	Case
4	-Vin
5	-Vout
6	-Sense
7	Trim
8	+Sense
9	+Vout

1. All dimensions are in inches (mm)
2. Weight: 0.24 lbs (109 g) approx.
3. Tolerance: x.xx =  $\pm 0.02$  (x.x =  $\pm 0.5$ )  
x.xxx =  $\pm 0.01$  (x.xx =  $\pm 0.25$ )

**NOTE:** The product information and specifications may be subject to changes even without prior written notice. The product has been designed for various applications; its suitability lies in the responsibility of each customer. The products are not authorized for use in safety-critical applications without ATAQ's explicit written consent. A safety-critical application is an application where a failure may reasonably be expected to endanger or cause loss of life, inflict bodily harm, or damage property. The applicant shall indemnify and hold harmless ATAQ, its affiliated companies, and its representatives against any damage claims in connection with the unauthorized use of ATAQ products in such safety-critical applications.

**HEADQUARTER:** Çamlıca Mah. Anadolu Bulvarı, Timko Ticaret Merkezi,  
No:20/ R1, 06200, Yenimahalle / Ankara / Türkiye

**R&D:** İvedikOSB Mah. 2224 Cad. Teknopark Ankara No:1C/211,  
06378, Yenimahalle / Ankara / Türkiye

